

# VERITY<sup>®</sup>

7" MIRROR MONITOR SYSTEM

Part # SMM07



## Just View It<sup>®</sup>

Please read this manual completely before operating the SYSTEM

A division of  
**Component Solution Services, LLC.**  
56600 Twin Branch Dr.,  
Mishawaka, IN 46545  
[www.VeritySafe.com](http://www.VeritySafe.com)



## Verity Rear Vision Systems Wire Connection Key

4-pin camera connectors & trigger wires

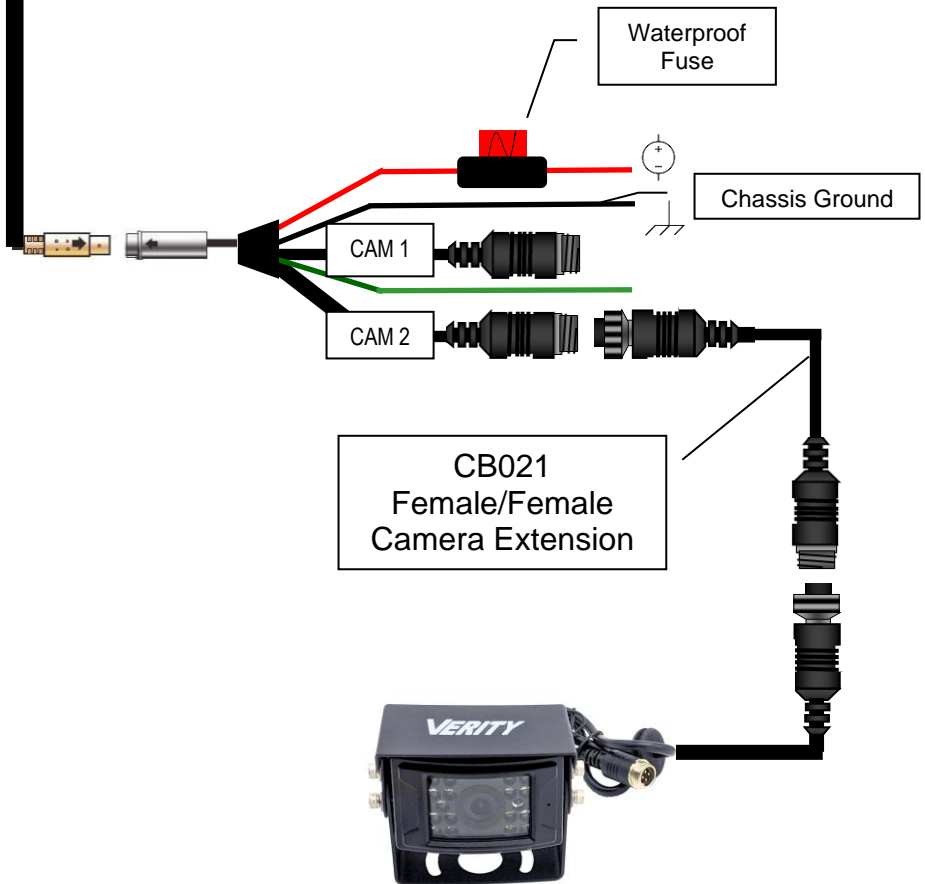
Camera 2 for Rear Camera

Red wire to key-on hot (+) 12-32v. DC (fused)

Black wire to GND. (-)

Green wire to positive back-up light

**BE SURE TO ALIGN MONITOR CABLE CONNECTION**



## ABOUT US

**Component Solution Services LLC.** engineers the **Verity®** products to meet any requirements and price point within the commercial and fire rescue industries. Designed for professional drivers, Verity develops and markets products and applications to transmit video, audio, and data. Verity® is also home to the Reveal® line of MDVRs.



### **The Verity Difference:**

- We are an engineering firm
- Products designed and tested in the USA
- Field-tested, not just bench-tested
- Low issue rate of 0.022%  
(That is one component out of 5,000+ systems)
- Not found in Big-Box or online mega-sites
- Easy to reach tech support from our R&D department

*Verity integrates the needs of the fleets and end-users into what we engineer for our OEMs*

Replacement parts can be found at:

[www.Librv.com](http://www.Librv.com)

# THINK SAFETY

Read our manual before operating  
or installing this system.

Most likely, your system came pre-installed so the installation section would be for reference.

Thank you for your purchase of our Verity Rear Vison System SMM07. When installed and used properly, your SMM07 is designed to deliver you years of trouble-free operation. This manual contains important information required to properly install and operate the unit. Verity units are designed for quick installation by trained professionals in proper installation environments. Our designs are based on decades of working with vehicle manufacturers.

Verity products are intended to be installed as a supplement and our observation systems and/or products are not intended for use as substitutes for rear-view mirror devices, or for any other standard motor vehicle equipment which may be required to be installed on vehicles by law. Verity products promote improving the vehicle operator's field of view. Our products are no substitute for proper defensive driving techniques, observance of traffic laws, and motor vehicle safety regulations.

## **Installation Location**

It is unlawful in most locals for any person to drive a motor vehicle equipped with a television viewer/screen located at any point forward of the back of the driver's seat (or in any location that is visible, directly or indirectly) to the driver while operating the vehicle. Our systems are designed to be used primarily as a rear observation device.

**DO NOT OPEN ANY COMPONENT.** There are no serviceable parts inside any of the components of the SMM07. Opening the product will break the tamper indicators and void the warranty. Contact our tech support if a problem should arise: 574-807-6002. For faster response, fill out a service ticket found on our website. [www.verityrvs.com](http://www.verityrvs.com)

## **WARNING**

- ◆ Do not place heavy objects on cables or cover them with carpet or mats.
- ◆ Do not place cables where they can be crushed in any manner.
- ◆ Our systems are designed as a driving aid. Watching videos, broadcasts, DVDs and/or any images other than intended driving assistance cameras is prohibited.

## **CAUTION**

- ◆ To avoid damage to the electronic circuit, stop using this product while doing welding work to the vehicle and/or trailers.
- ◆ Never immerse any component in water, and do not employ spray cleaners. When cleaning, use a damp lint-free cloth only.
- ◆ Connect this unit only to other compatible devices.
- ◆ Although our products have built-in surge and cross polarity protection, make sure all cables are connected properly; improper cable connections may damage the camera and the monitor.
- ◆ Cables should not be allowed to touch hot or rotating parts, such as the engine, ventilator, etc.
- ◆ Do not locate the monitor near heat generating vents or devices.
- ◆ Turn off power to the monitor when connecting the camera.

Monitors are not designed to be waterproof. (Our SM07F waterproof monitor is the exception). Exposure to water, such as rain, may damage the unit.

# SYSTEM FEATURES

## MONITOR SPECIFICATIONS

(Monitor part #MMK07) | 7-inch Clip-On Mirror Monitor

- TFT-LCD (16:9)
- Format: NTSC
- New Higher Resolution: 800 (W) x 480(H) RGB
- Power supply: DC 12V
- Video: 2-channel video input, V1/V1 switching with
- 4-pin male aviation plugs
- Contrast: 300:1
- Waterproof fuses

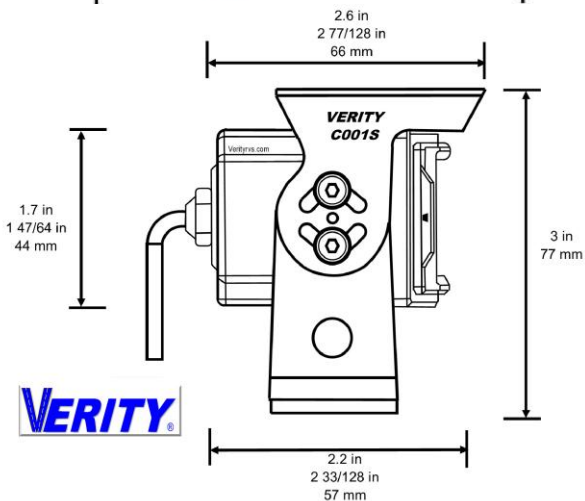
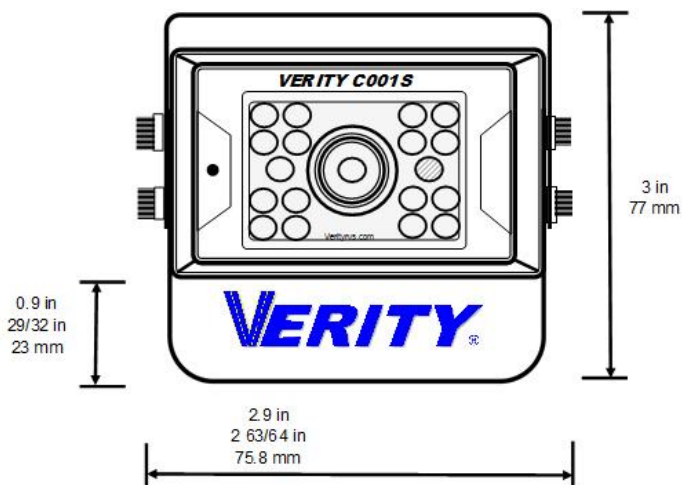
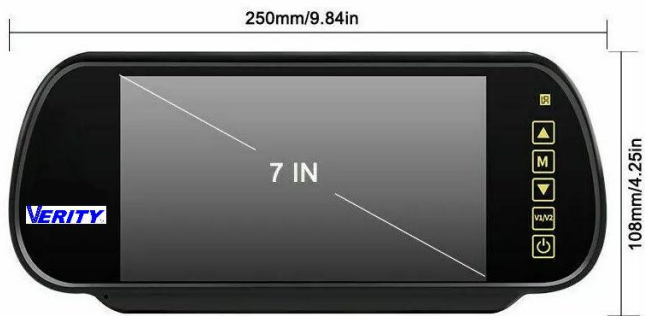
## CAMERA SPECIFICATIONS

(Camera Part #C001S)

- Horizontal Resolution: 600 TV Lines
- TV System: NTSC
- Image Type: 1/3 Inch Color CCD Sharp® (or equivalent)
- Effective Pixel: 510 x 492
- Illumination: 0 Lux (built-in 17 high output IR LEDs for night vision)
- Aluminum Housing
- Waterproof: IP69K
- Power Supply: DC 12V (power from the monitor)
- Shockproof: 10G
- Operating Temperature: -40°~70°C
- Built-in Microphone
- Viewing Angle: 130°



# SYSTEM MEASUREMENTS



# SYSTEM COMPONENTS



7" Clip-on / post  
Mirror Monitor



Manual



Monitor Harness w/  
waterproof fuse



Windshield Bracket  
Post mount



20-Meter Camera



Weatherproof Camera  
with night vision



Hardware



Remote



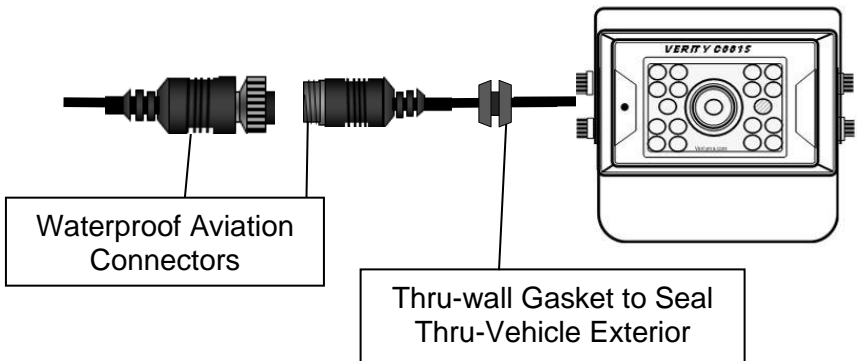
# SYSTEM COMPONENTS

This monitor can be mounted over any existing mirror.  
Take caution not to block any sensors on the current mirror.



## Camera Connection

**Do NOT** make the cable tight from the back of camera going into the truck – form a drip loop with slack.



Be sure to use the vibration gasket when installing the camera. It is packaged with the camera hex wrench.

# CABLE CONNECTIONS



## Verity Rear Vision Systems Wire Connection Key

4-pin camera connectors & trigger wires

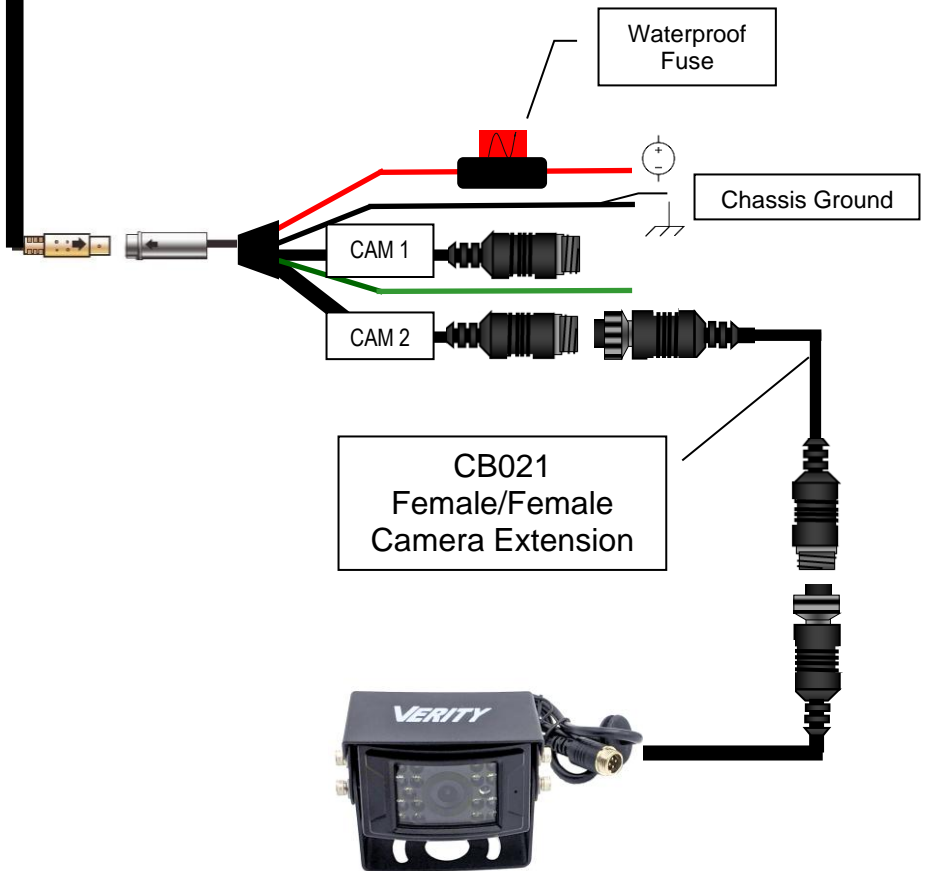
Camera 2 for Rear Camera

Red wire to key-on hot (+) 12-32v. DC (fused)

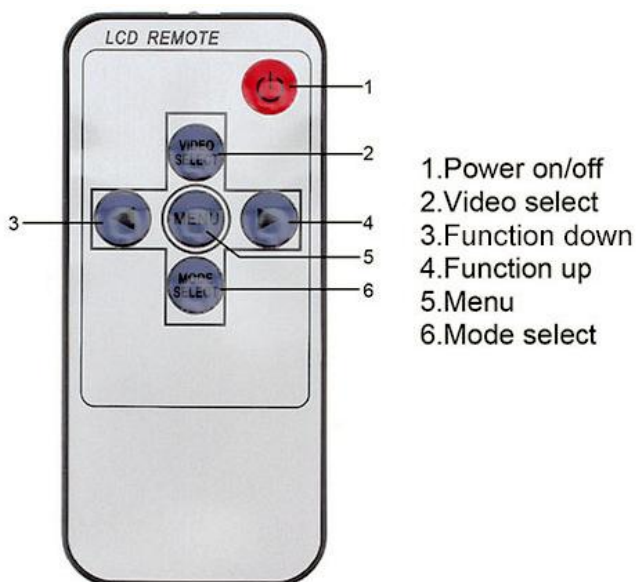
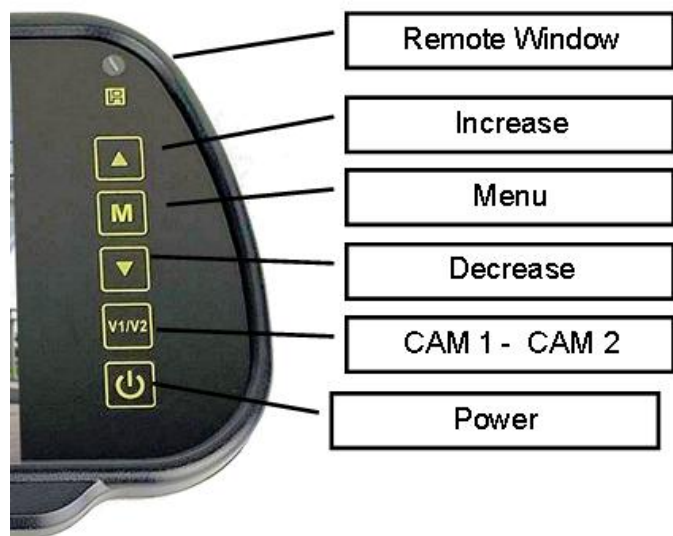
Black wire to GND. (-)

Green wire to positive back-up light

**BE SURE TO ALIGN MONITOR CABLE CONNECTION**



# MONITOR OPERATIONS



# Menu

## BRIGHTNESS



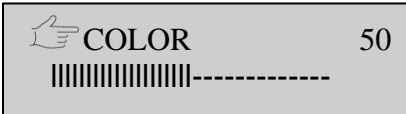
Use DOWN / UP arrows to adjust the brightness

## CONTRAST



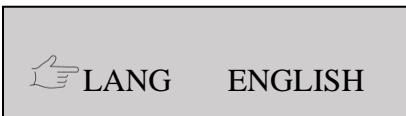
Use DOWN / UP arrows to adjust contrast

## COLOR



Use DOWN / UP arrows to adjust the color

## LANGUAGE There are 12 to choose from



Use DOWN / UP arrows to change the language

## ZOOM



Use DOWN / UP arrows to adjust zoom 16:4 / 4:3 (zoom in)

## ROTATE



Use DOWN / UP arrows to Rotation / Flip



## RESET

Restores all preset factory settings

# Possible safety additions

## ADD60S Rear Sensor System

Increase your vehicle safety by adding a Verity ADD60S Sensor System. These sensors alert you of objects behind the truck while reversing the vehicle. They can show you how close you are to an object as the sound intensifies as you move closer.



## 4-Channel Truck Grade DVR

**REC02U (2023)** is a dual SD card hybrid HD MDVR that can record your camera view(s), including the job/delivery site. It can be set to record the entire daily time. Video storage SD cards are behind a locked door.

We often hear,  
“We should have done this before the lawsuit”



**Verity®**  
A division of  
COMPONENT SOLUTION SERVICES, LLC (CSS)  
**LIMITED One (1) YEAR WARRANTY**

1. CSS products' warranties are not transferable. They apply to the consumer for one (1) year and cover defects in material and workmanship. We do not warranty our cables, which are QC tested at three different stations before shipping. All components must be installed in compliance with all Federal, State, and Local government requirements. The warranty is limited to the United States of America and Canada.
  
2. Defective components will be replaced or repaired based on a CSS evaluation of the component. Inbound shipping charges, based on the CSS rate allocated in the RMA (returned merchandise agreement), will be covered once the component has been deemed defective. The pre-assigned inbound freight will be supplied upon the return of the product. All repaired/replaced warranty parts shall be for the remaining duration of the original warranty period.
  
3. CSS takes pride in our products and will aid in the processing of your components:
  - a) All warranty claimants must have consulted our technical support department for troubleshooting and acquiring an RMA. Contact can be made via email at [tech@veritysafe.com](mailto:tech@veritysafe.com) or call 574-807-6002.
  - b) When the warranty claim is made, the consumer must establish the warranty start dates by presenting documentation regarding the date of retail purchase (e.g., bill of sale).
  - c) Service performed by non-authorized service personnel may void all warranty claims.
  - d) CSS will make no payments for system removal/system re-installing, mileage allowance, or transportation expenses. Verity does not pay for labor. The limited warranty does not cover damage resulting from misuse, accident, modification, or alteration to hardware or software, tampering, unsuitable physical or operating environment beyond product specifications, improper maintenance, or failure caused by a product for which CSS is not responsible. There is no warranty for any product with removed or altered identification labels. **CSS DOES NOT PROVIDE ANY OTHER WARRANTIES OF ANY KIND, INCLUDING, BUT NOT LIMITED TO, THE IMPLIED WARRANTIES OR CONDITIONS OF MERCHANTABILITY AND FITNESS FOR A PARTICULAR PURPOSE. SOME JURISDICTIONS DO NOT ALLOW THE LIMITATION OF IMPLIED WARRANTIES, SO THIS LIMITATION MAY NOT APPLY TO YOU.**
  
4. This warranty gives you specific legal rights; you may also have other rights that vary from state to state.

## Technical Support

A service ticket can be filled out online to supply the quickest service. The service ticket can be easily found on our website, [www.VeritySafe.com](http://www.VeritySafe.com), or use the code to the right. Please have the system's serial number, which is found on the back of the monitor, when contacting the service department. We take great pride in delivering the most dependable product in the industry. Each item was 100% QC tested, and then we randomly recheck another up to 10% before it leaves our hands to you. We have a 0.022% issue rate with our products.



## Email Tech Support:

[Tech@VeritySafe.com](mailto:Tech@VeritySafe.com)

Phone Tech Support: 574-807-6002

Note: if you are a fire/rescue customer needing tech support after hours or on weekends, leave a message, and a technician will return your call as soon as one becomes available.

# VERITY®

a division of

Component Solution Services, LLC.

56600 Twin Branch Drive

Mishawaka, IN 46545

**574-807-6002**

**Toll-Free 844-875-4799**

We at Verity would like to personally thank you for purchasing our product. Our company strives to supply the best products at a fair price. We care that you enjoy a safe driving experience.

2020-Current

**Verity®**

Content copyright protected.

Revision 25 NF