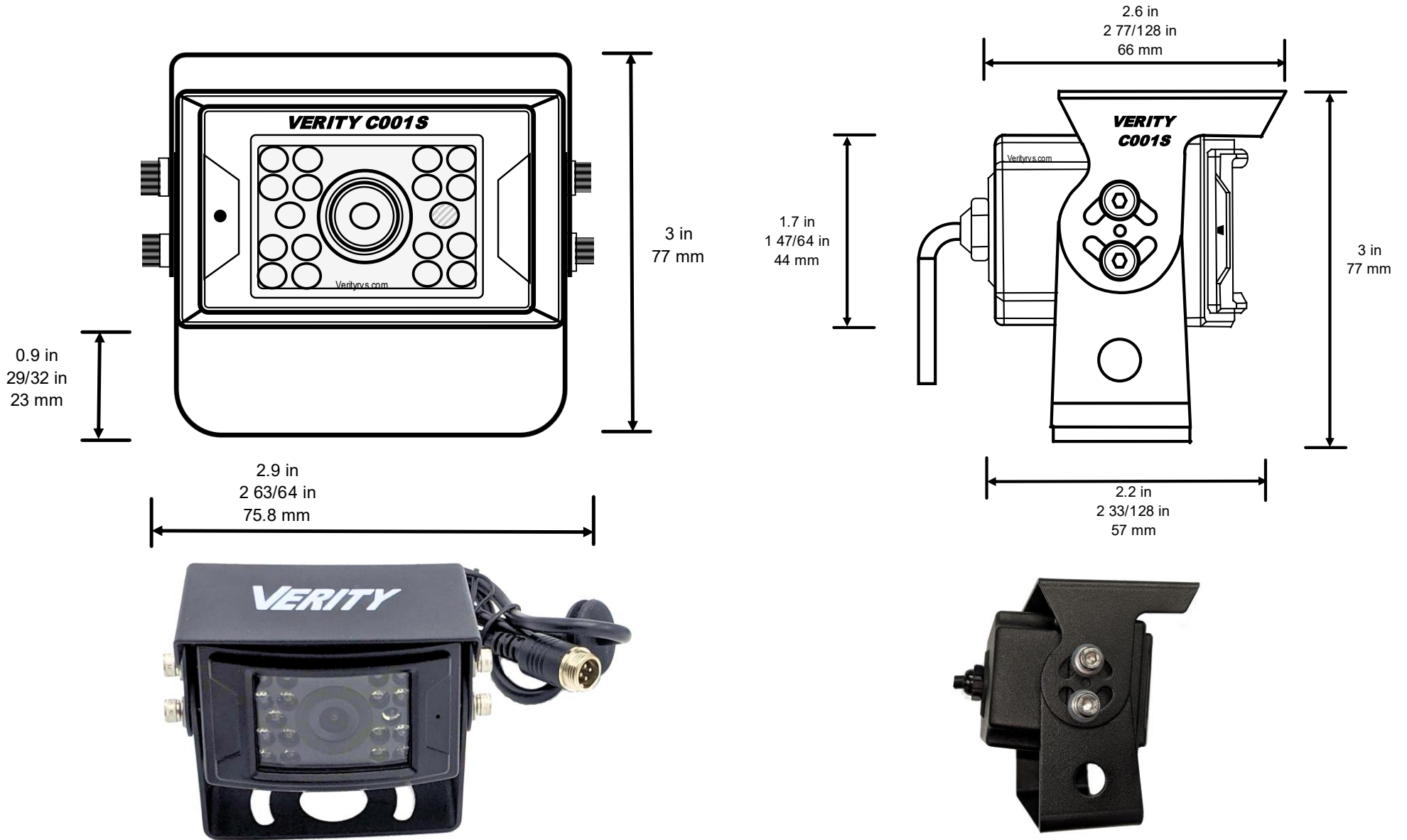




Part Number:
C001S Camera

Standard C001S Camera: 170 degree CCD lens, IP69 waterproof, 9 IR night vision emitters, microphone, 4-pin waterproof connector, curved glass to prevent glare, removable anti-glare shield, durable finish.



574-807-6004
www.veritysafe.com
All rights reserved.

NOTICE
Diagram is for reference purpose only.
Subject to change without notice. Not to Scale.

2/22 Rev .2

Camera C001S "S" Series