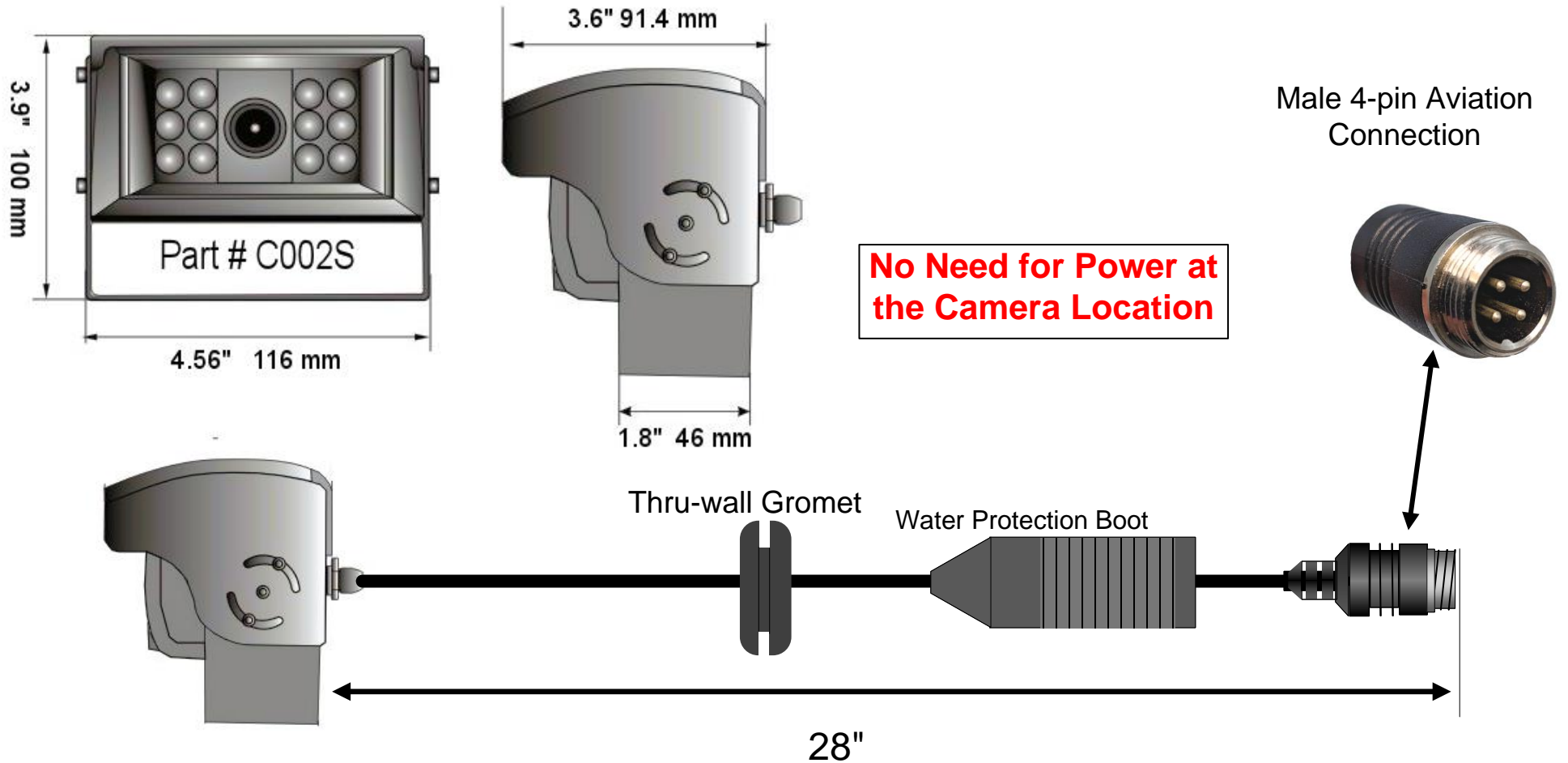




Camera Part Number:
C002S rev. 2023

Description: High Definition with 500 TV lines. Aluminum Shell with 12 Ultra Bright IR LEDs for night vision. 100% waterproof with an IP68 and 10G rating.



574-807-6002
www.veritysafe.com
All rights reserved.

NOTICE
Diagram is for reference purpose only
Subject to change without notice. Not to Scale

3/2023

C002S Shutter Camera