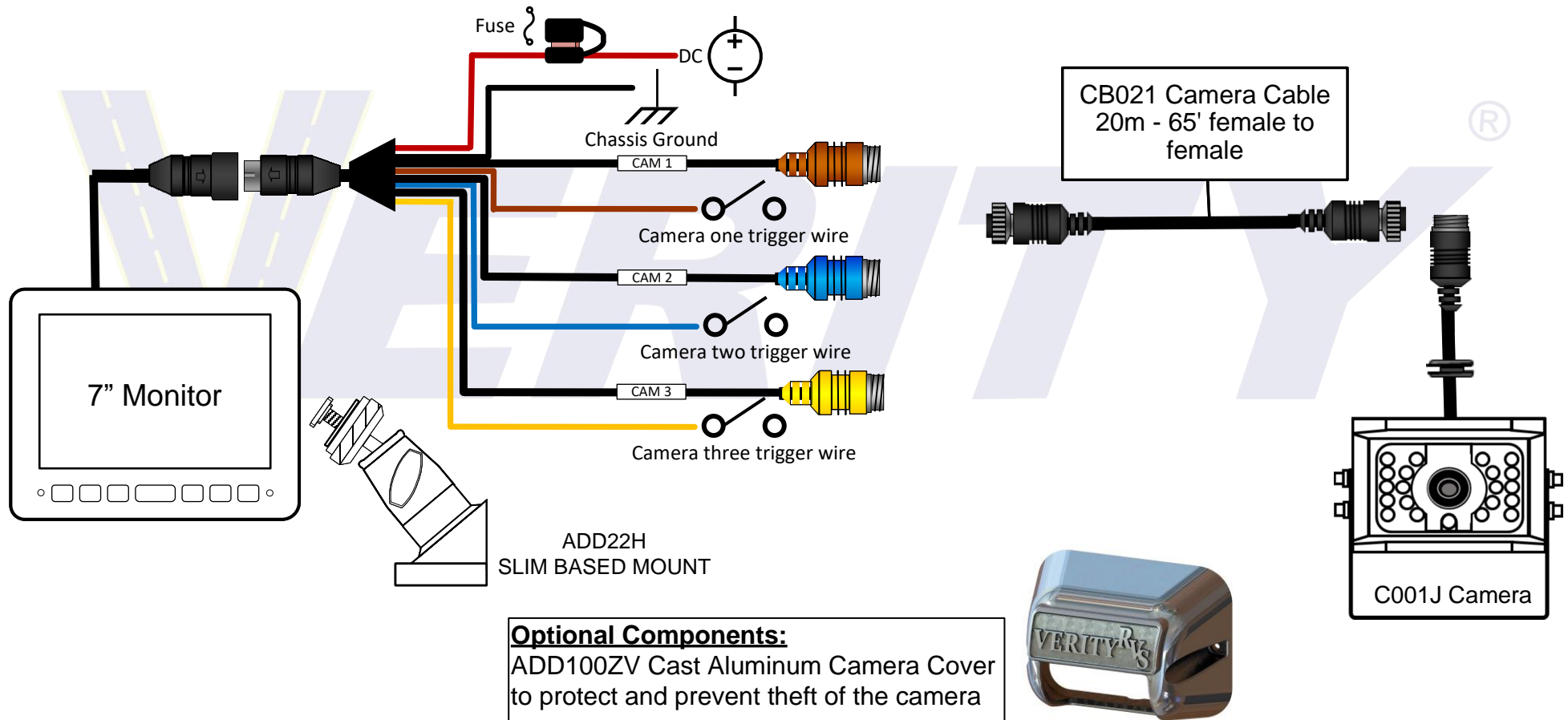


Required Components for Installation:

- (1) MK07J Monitor
- (1) C001J Camera
- (1) CB021 20m. – 65' Camera Cable
- (1) ADD22H Heavy Duty Slim Base Mount
- (1) Manual

Wire Connection Key:

- Red wire** to Ignition hot (+) 10-24v. DC
- Black wire** to GND (-)
- Brown trigger wire** for camera 1 to backup light
- Blue trigger wire** for camera 2 to turn signal relay
- Yellow trigger wire** for camera 3 to other turn signal relay



574-807-6002

www.veritysafe.com
All rights reserved.

NOTICE

Diagram is for reference purpose only
Subject to change without notice. Not to Scale

11/24

REV-5MC

SM07J